

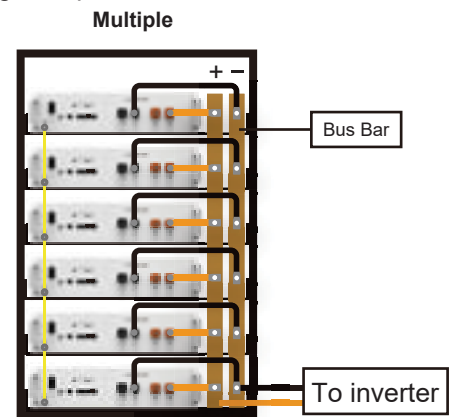
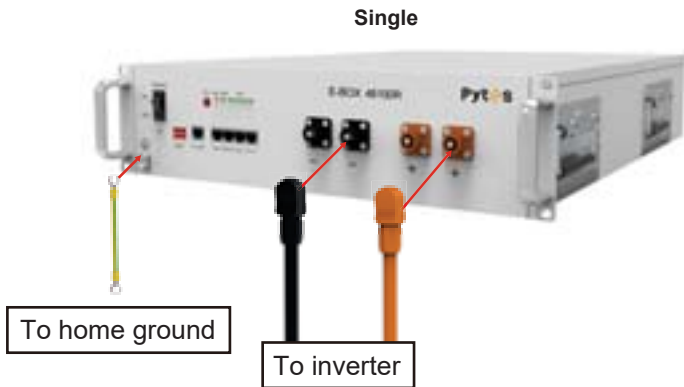
## 1. Connect Power Cable & Ground Cable



Warning: Ensure that the battery power switch is off



Note: Each battery should be connected to a Bus Bar when installing multiple batteries.



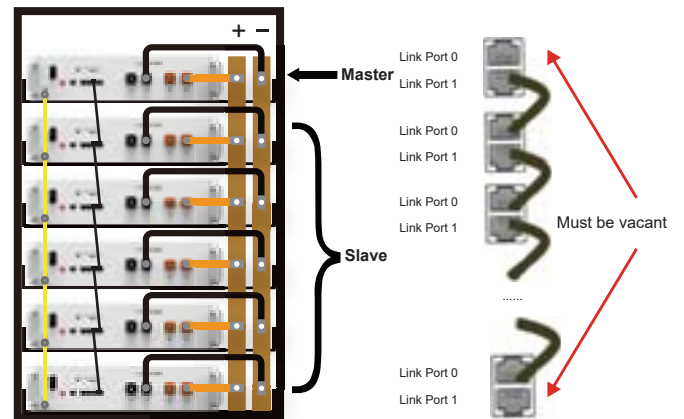
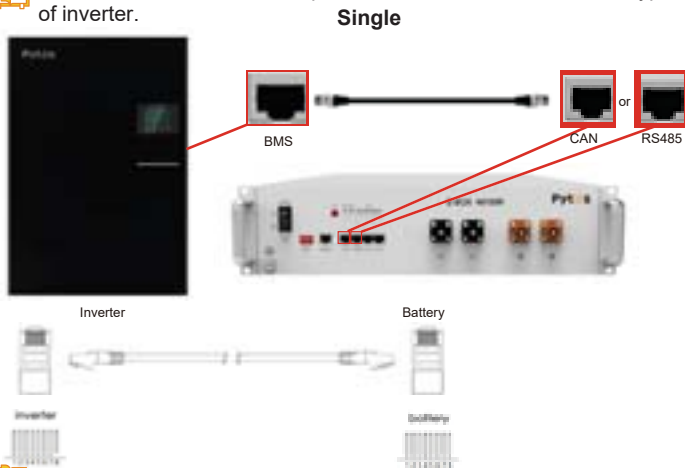
## 2. Connect Communication Cable



Note: Select CAN or RS485 port based on the communication type of inverter.



Note: Please connect the master battery and the inverter.



Note: Please refer to installation manual for custom comm cable making

## 3. Set the DIP Switch

**Single**

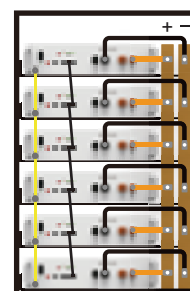


Note: Set the DIP switch based on the inverter you installed.

**Multiple**



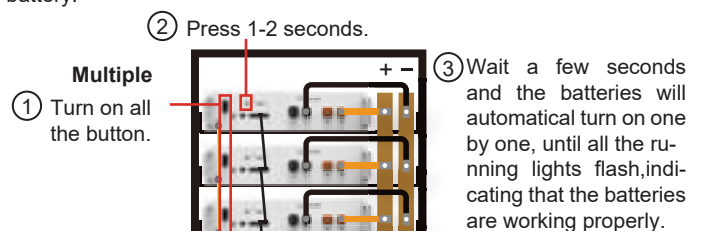
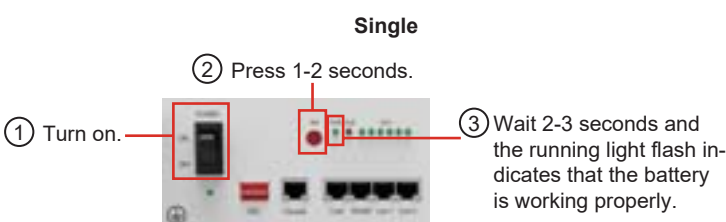
Note: Only the DIP switch of master battery need to be set.



## 4. Start up the System



Note: Make sure the connection to the inverter is correct before starting the battery.



Scan to view the user manual