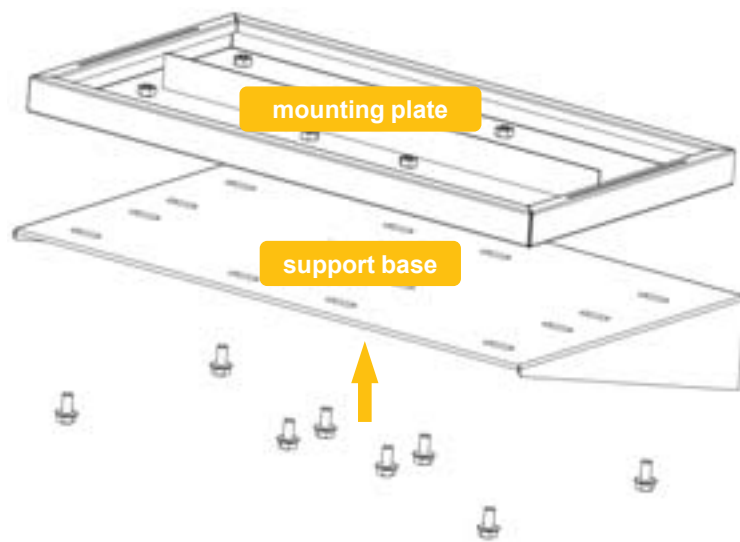


R-BOX Installation Guide

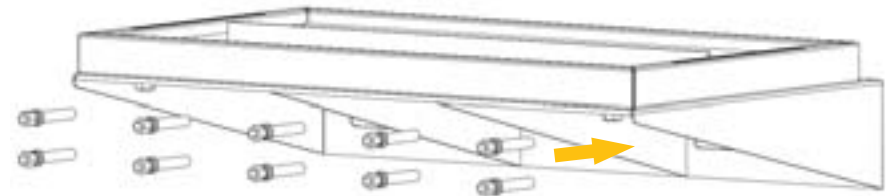


STEP 1 Assemble the base components

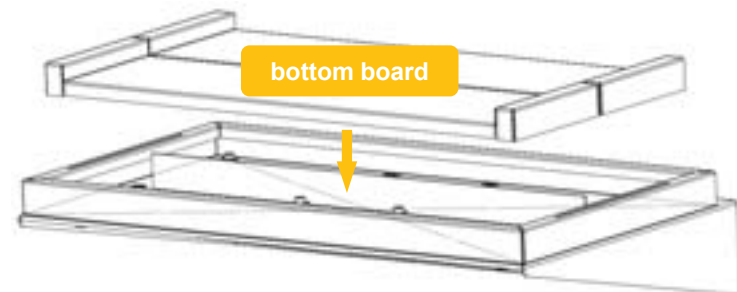
- 1 Connect the support base to the mounting plate with 8 screws. (If placed the R-BOX on the ground, there is no need to install the support base)



- 2 Fix the base components on the wall with 10 expansion bolts.

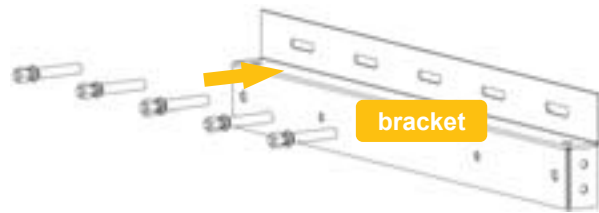


- 3 Insert the bottom board into the base components.

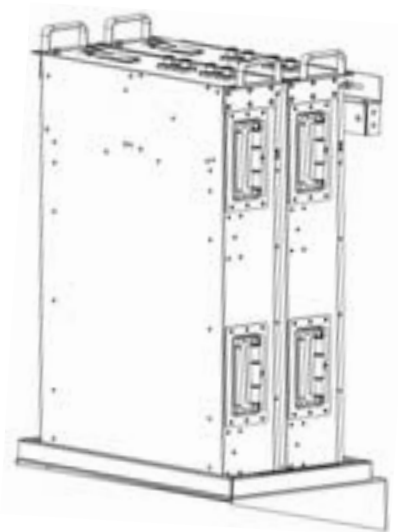


STEP 2 Assemble the main body

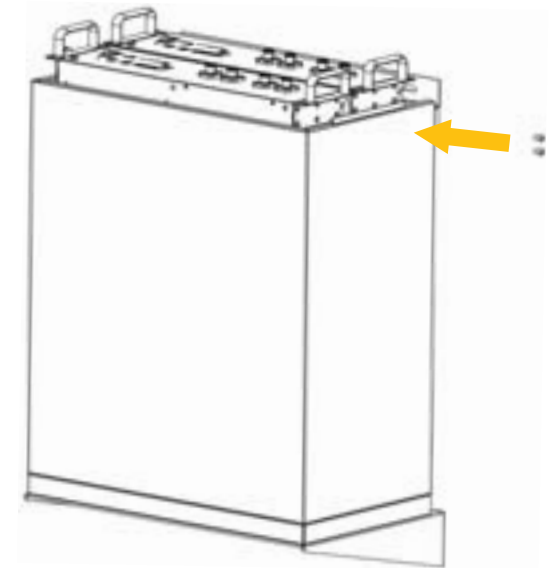
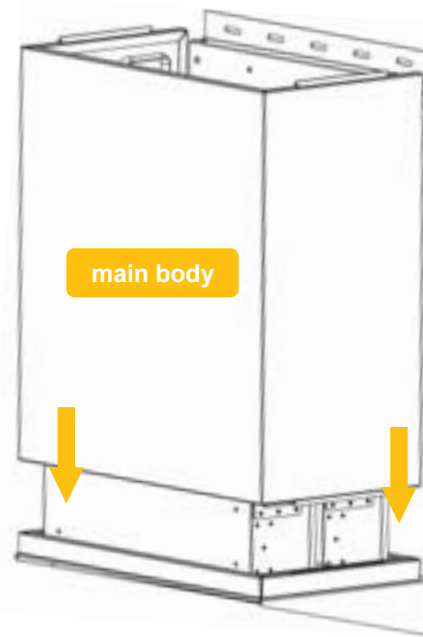
- 1 Fix the bracket on the wall with 5 expansion bolts.



- 2 Put the batteries on the base components.

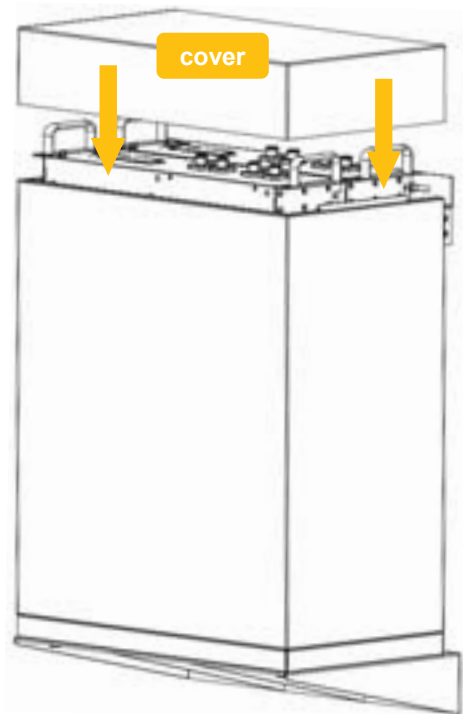


- 3 Insert the main body into the base components, and fix both sides with 4 screws.



STEP 3 Assemble the cover

- 1 Insert the cover into the main body.



- 2 Finish.

